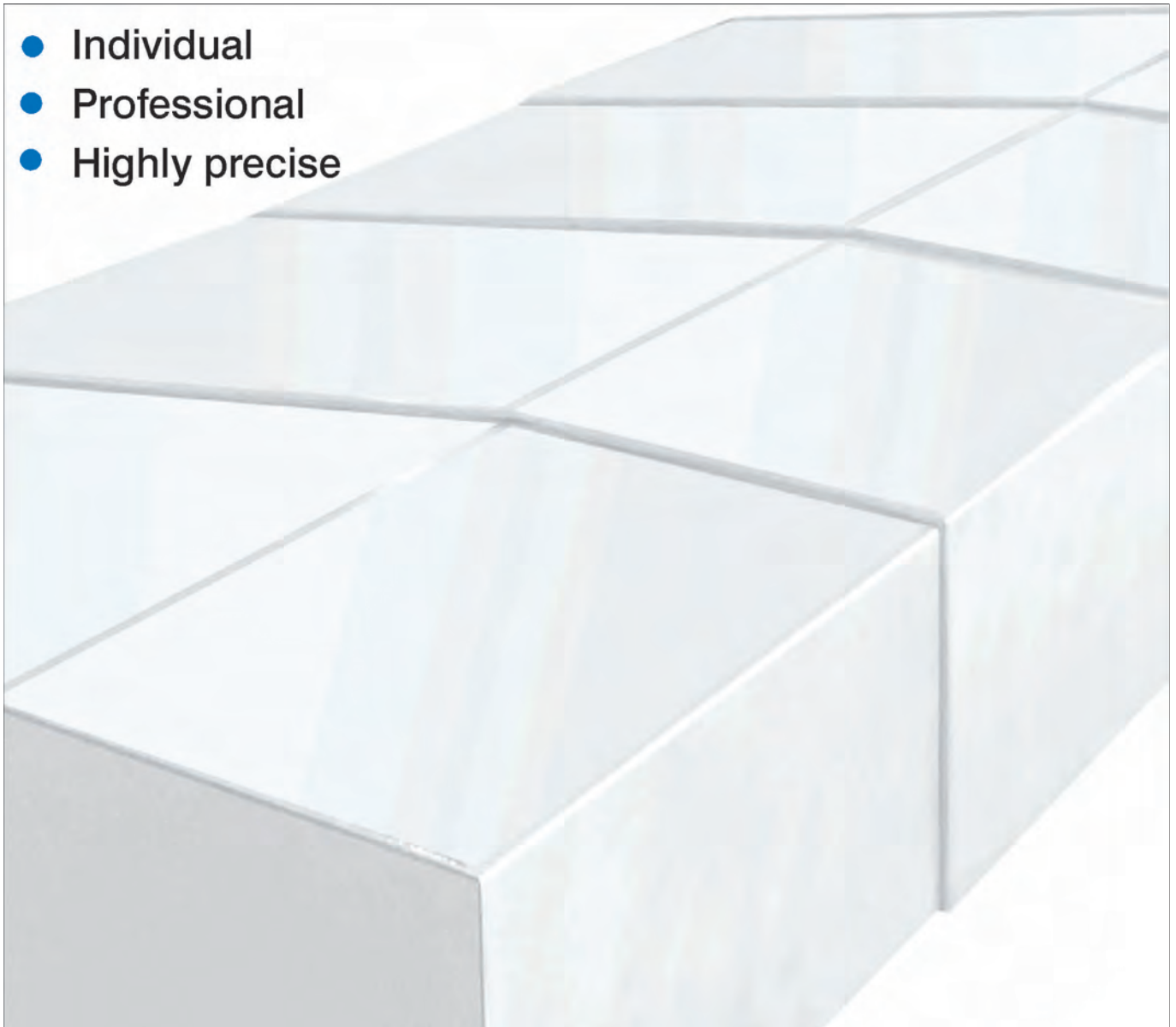


Te`UZYI Telescopic Steel Covers

- Individual
- Professional
- Highly precise



Robust Protection for your Guideways

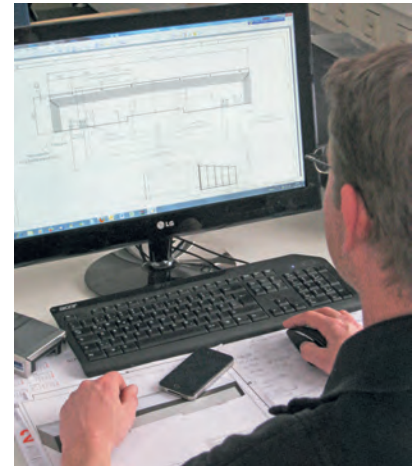
Innovative Solutions Ensure Maximum Precision

Steel Covers consist of steel or stainless-steel boxes which slide telescopically one into the other and provide optimum protection from chips, dirt, oil and coolants.

TelaZYI Steel covers are engineered and designed with the utmost precision, in a wide range of shapes and designs, to your specifications.

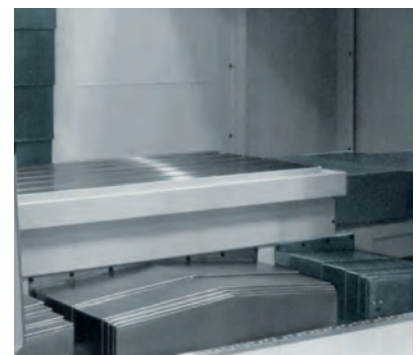
For your safety you will receive drawings for checking and approval before we start production.

TelaGuard Steel Covers are made with state-of-the-art precision from high-grade steel plates. HALLTECH specialties are stainless-steel covers as well as covers for dry machining.



Telaflex - Highlights:

- Special sliding, roller and damping systems
- Low-noise wipers
- Dry-working wipers
- FPM (Viton®) wipers



Shape 1



Shape 3



Shape 2



Shape 4



Shape 5



Request for Quote

Information required for quoting
a TelaZYI Steel Cover

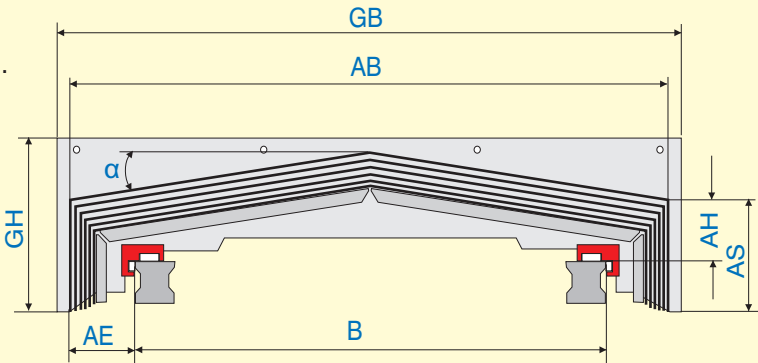
For machine type:

Machining : Dry With cooling lubricants

Cover of: Normal steel Stainless steel

Walk-on: Yes No

Desired shape (see page 2):



Mounting of cover: Slide-on Place-on

Use: Machine bed Column Cross rail

Max.Travel Speed (V):m/min

Acceleration(a):m/s²

Max. Extension (Lmax):mm

Travel required (H):mm

Compression (Lmin):mm

Width of bed (B):mm

Width of cover (AB):mm

Height of cover (AS):mm

Lateral overhang of cover (AE):mm

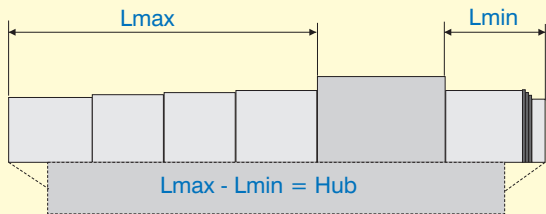
Tilt angle (α):°

Height of cover above guideway (AH):mm

Total height of cover incl. mounting plate (GH):mm

Total width of cover incl. mounting plate (GB):mm

Additional wishes (e.g. suspension, sight opening...):
.....



Company _____

Country _____

Contact _____

Telephone _____

Street _____

Fax _____

ZIP Code _____ City _____

e-Mail _____