



Bernoulli vacuum cups – Series SX-B

Non-contact vacuum suction grippers



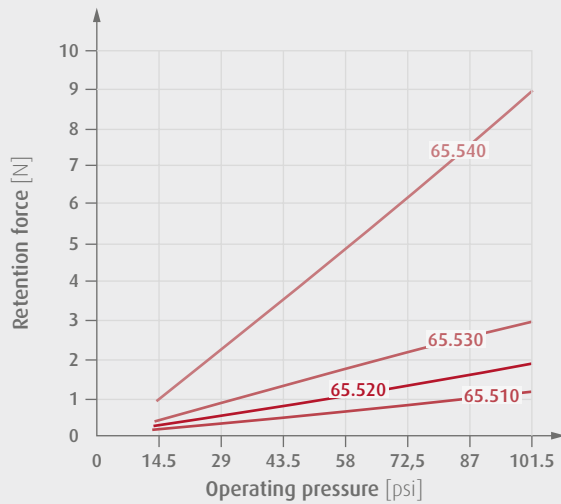
- > Integrated vacuum generation on the Bernoulli principle
- > No ejector, requires compressed air only
- > Non-contact, deformation-resistant transport of thin and sensitive products
- > High holding force: Bernoulli vacuum cups can grip up to to 21.16 oz of mass
- > Perfectly suited for porous products thanks to high volume flow at low vacuum level
- > Easy to install, system flexibly expandable through lateral compressed air inlets
- > Long life cycle due to maintenance-free operation

Technical Data

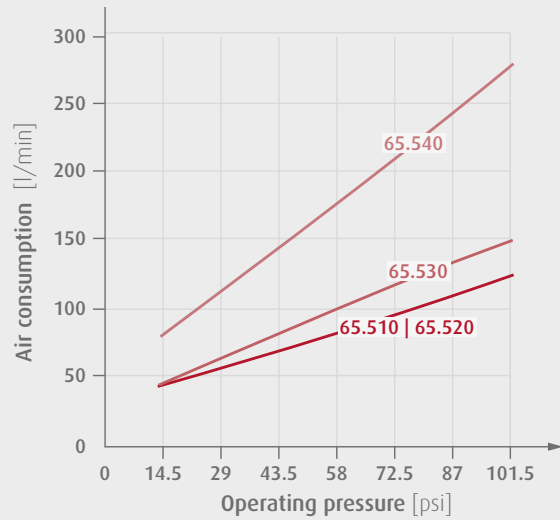
Item no.	Model	Operating pressure [psi]	Holding force at 72.5 psi [N]	Air consumption at 72.5 psi [scfm]	Ambient air temperature [°F]	Medium	Oil content of compressed air [mg/m³]	Suitable accessories
65.510	SX-B-20	14.5 - 101.5	0.9	3.5	41 - 140	Compressed air	0	Pads NBR 78.509 Pads SI 78.510
65.520	SX-B-30	14.5 - 101.5	1.3	3.5	41 - 140	Compressed air	0	Pads NBR 78.509 Pads SI 78.510
65.530	SX-B-40	14.5 - 101.5	2	3.9	41 - 140	Compressed air	0	Pads NBR 78.511 Pads SI 78.512
65.540	SX-B-60	14.5 - 101.5	6	7.4	41 - 140	Compressed air	0	Pads NBR 78.511 Pads SI 78.512

Diagrams

> Holding force as a function of operating pressure

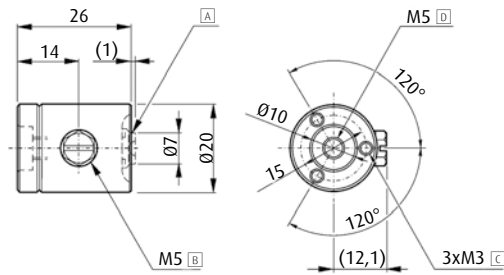


> Air consumption depending on operating pressure

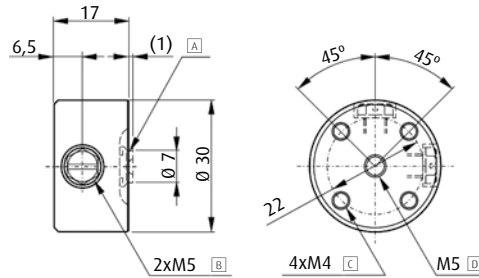




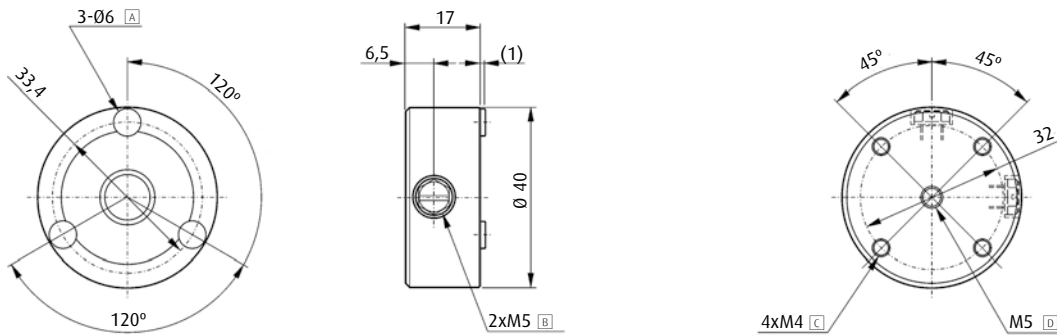
Dimensions



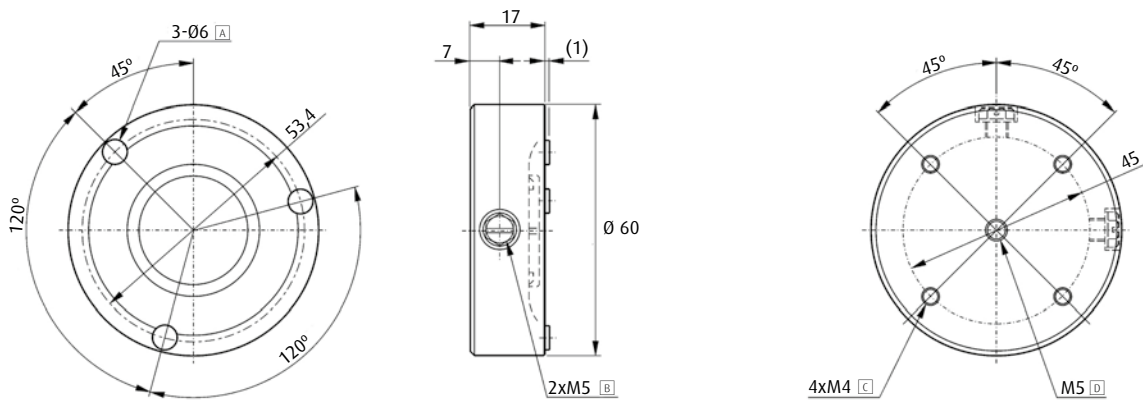
65.510



65.520



65.530



65.540

[A] = Silicone rubber pads (with 65.530 and 65.540 the pads can be removed in case of contact-less application)

[B] = Pneumatic connection

[C] = Depth 5 mm

[D] = Pneumatic connection