

Pressure regulators – screw-in type



Product Description

- > Easy installation due to compact design
- > Suitable for compressed air

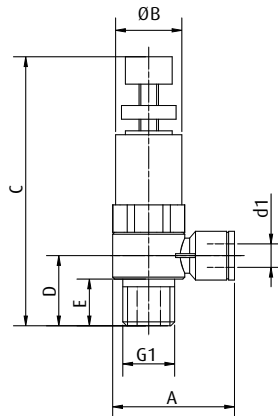
Technical Data

Item no.	Regulating range [bar]	Operating temperature [°C]	Weight [g]
32.570	1-8	0-60	16
32.571	1-8	0-60	36
32.572	1-8	0-60	17
32.573	1-8	0-60	37
32.574	1-8	0-60	59
32.575	1-8	0-60	38
32.576	1-8	0-60	60

Dimensions

d1 [mm]	G1	A [mm]	ØB [mm]	C [mm]	D [mm]	E [mm]
4	M5	20,5	10	48,5	9	3,5
4	G1/8	28,5	14	60	14,5	8
6	M5	22,5	10	48,5	9,5	3,5
6	G1/8	30,5	14	60	14,5	8
6	G1/4	34	17	65	17,5	11
8	G1/8	34	14	60	15,5	8
8	G1/4	37	17	65	18,5	11

Dimensions



Pressure regulators – screw-in type, with pressure gauge



Product Description

- > Monitoring the pressure set using a pressure gauge (Display in MPa)
- > Simple installation with compact and robust design
- > Suitable for compressed air

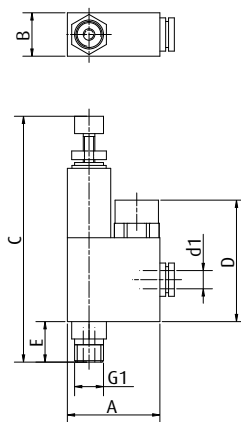
Technical Data

Item no.	Regulating range [bar]	Display tolerance [%]	Operating temperature [°C]	Weight [g]
32.587	1-8	5	0-60	28
32.588	1-8	5	0-60	55
32.589	1-8	5	0-60	28
32.590	1-8	5	0-60	55
32.591	1-8	5	0-60	84
32.592	1-8	5	0-60	55
32.593	1-8	5	0-60	84

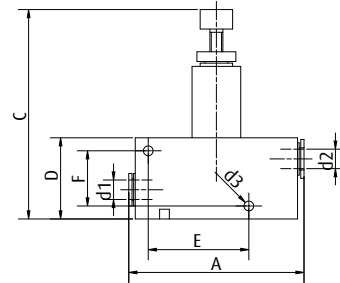
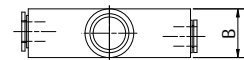
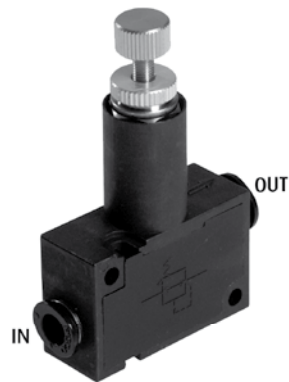
Dimensions

d1 [mm]	G1	A [mm]	B [mm]	C [mm]	D [mm]	E [mm]
4	M5	27,5	15	57,5	42	3,5
4	G1/8	36	15	81,5	42	8
6	M5	28	15	57,5	42	3,5
6	G1/8	36,5	15	81,5	42	8
6	G1/4	39,5	19	89,5	42	11
8	G1/8	36,5	15	81,5	42	8
8	G1/4	39,5	19	89,5	42	11

Dimensions



"Inline" pressure regulators



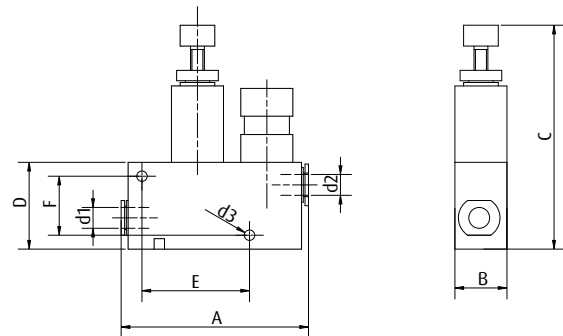
Technical Data

Item no.	Regulating range [bar]	Operating temperature [°C]	Weight [g]
32.577	1-8	0-60	36
32.578	1-8	0-60	36
32.579	1-8	0-60	36
32.580	1-8	0-60	60
32.581	1-8	0-60	60

Dimensions

d1 [mm]	d2 [mm]	d3 [mm]	A [mm]	B [mm]	C [mm]	D [mm]	E [mm]	F [mm]
4	4	3,2	44	15	63	25	30	17
6	4	3,2	44,5	15	63	25	30	17
6	6	3,2	45	15	63	25	30	17
8	6	3,2	57	19	68	29	39	21
8	8	3,2	57	19	68	29	39	21

"Inline" pressure regulators with pressure gauge



Technical Data

Item no.	Regulating range [bar]	Display tolerance [%]	Operating temperature [°C]	Weight [g]
32.582	1-8	5	0-60	48
32.583	1-8	5	0-60	48
32.584	1-8	5	0-60	48
32.585	1-8	5	0-60	73
32.586	1-8	5	0-60	73

Dimensions

d1 [mm]	d2 [mm]	d3 [mm]	A [mm]	B [mm]	C [mm]	D [mm]	E [mm]	F [mm]
4	4	3,2	55	15	63	25	30	17
6	4	3,2	55,5	15	63	25	30	17
6	6	3,2	56	15	63	25	30	17
8	6	3,2	69	19	67,5	29	39	21
8	8	3,2	69	19	67,5	29	39	21

Vacuum regulators with external leakage



Product Description

- > Control of vacuum by ventilation with atmospheric air when a preset vacuum level is reached
- > Manual adjustment via fine thread mechanical opening via spring load
- > Advantage: constant vacuum level even with workpieces of varying properties (e.g. different porosities)
- > Suitable as safety valve for side channel blowers to limit the max. vacuum level (diameter of regulator should be identical)

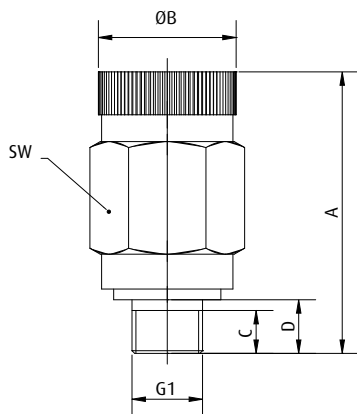
Technical Data

Item no.	Regulating range [bar]	Operating temperature [°C]	Weight [g]
73.002	-999 - 0	-20 - 80	270
73.003	-990 - 0	-20 - 80	658

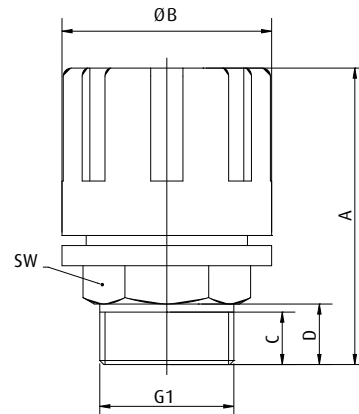
Dimensions

G1	A [mm]	ØB [mm]	C [mm]	D [mm]	SW [mm]
G1/4	63	26	8	10	25
G1	82	52	13	15	32

Dimensions



73.002



73.003

Vacuum regulators without external leakage



Product Description

- > Vacuum control of consumers, such as vacuum cups in handling systems
- > Suitable for performance of leakage tests as mode of operation leak-free
- > Precise setting with high reproducibility
- > Rotary knob with fixing mechanism, resolution < 1.3 mbar
- > Connection on both sides via quick fittings, external diameter 8 mm
- > Vacuum meter incl. connection adapter included in scope of delivery

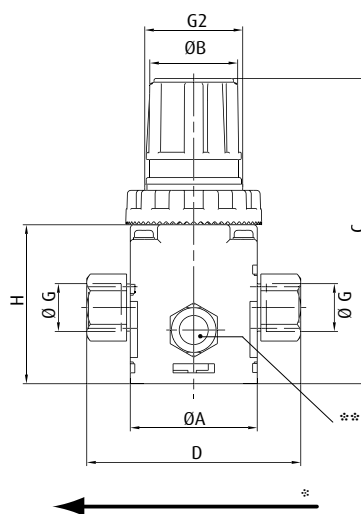
Technical Data

Item no.	Maximum flow rate [m³/h]	Regulating range [bar]	Operating temperature [°C]	Weight [g]	Suitable vacuum meter
33.220	8.4	-1 - 0	5 - 60	135	91.001-R
33.230	14	-1 - 0	5 - 60	250	91.001-R

Dimensions

ØA [mm]	ØB [mm]	C [mm]	D [mm]	ØG [mm]	G2	H [mm]
35	34	83	63	8	G1/4	43.8
65	40	103	66.4	8	G3/8	51.7

Dimensions



* = Flow direction

** = R1/8 Manometer connection

Vacuum regulators without external leakage

Achievement of different vacuum levels in different system circuits. Compensation of type-dependent pressure fluctuation of vacuum generating systems.



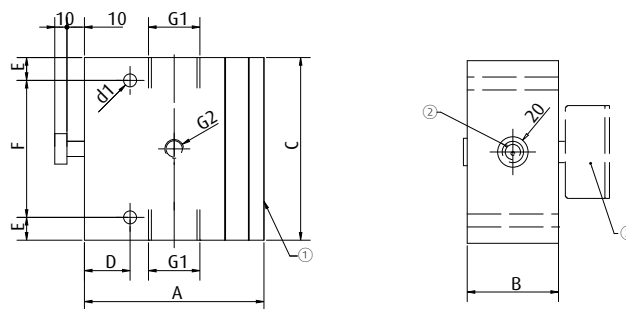
Technical Data

Item no.	Maximum flow rate [m³/h]	Regulating range [bar]	Operating temperature [°C]	Weight [kg]	Suitable vacuum meter
33.100	6	-1 - -0,02	-10 - 80	0,6	91.001
33.105	10	-1 - -0,02	-10 - 80	0,6	91.001
33.110	20	-1 - -0,02	-10 - 80	1,15	91.003
33.115	40	-1 - -0,02	-10 - 80	1,39	91.003
33.120	80	-1 - -0,02	-10 - 80	2,08	91.003
33.125	160	-1 - -0,02	-10 - 80	5,39	91.003
33.130	20	-1 - -0,02	-10 - 80	2	91.003
33.135	80	-1 - -0,02	-10 - 80	3,7	91.003
33.140	160	-1 - -0,02	-10 - 80	3,8	91.003

Dimensions

A [mm]	B [mm]	C [mm]	D [mm]	d1 [mm]	E [mm]	F [mm]	G1	G2
89	40	60	20	6,5	10	40	G1/4	G1/8
89	40	60	20	6,5	10	40	G1/4	G1/8
105	50	85	25	8,5	15	55	G1/2	G1/4
110,5	50	100	30	8,5	15	70	G3/4	G1/4
118	60	120	30	8,5	15	90	G1	G1/4
131,5	99	160	20	8,5	15	130	G1 1/2	G1/4
105	60	120	25	8,5	15	90	G1/2	G1/4
118	100	120	30	8,5	15	90	G1	G1/4
131,5	99	160	20	8,5	15	130	G1 1/2	G1/4

Dimensions



- ① = The bottom side must not be covered ② = Adjusting screw ③ = Vacuum meter (optional)