



Suction rings, flat – Series SFR



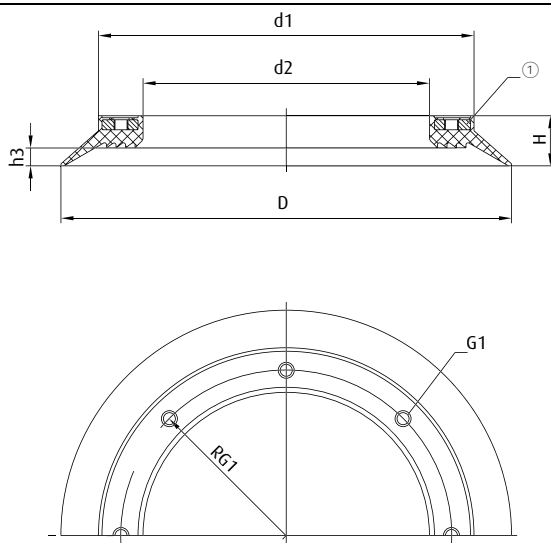
Product Description

Flat suction seals vulcanized on steel ring for handling very large loads. Connection through circular, circumferentially placed thread holes.

Technical Data

Item no.	Model / Lip dimensions		Material / color
152.450.105.*	SFR-450	18	NBR (sw)
152.540.106.*	SFR-540	18	NBR (sw)
152.630.107.*	SFR-630	18	NBR (sw)
152.720.108.*	SFR-720	18	NBR (sw)
152.920.109.*	SFR-920	18	NBR (sw)

Dimensions



① = Ring made of vulcanized ST 37

Item no.	Ø D [mm]	Ø d1 [mm]	Ø d2 [mm]	G1	H [mm]	h3 [mm]	R G1
152.450.105.*	450	375	286	8 x M12	50	18	165
152.540.106.*	540	465	375	8 x M12	50	18	210
152.630.107.*	630	556	464	12 x M12	50	18	255
152.720.108.*	720	646	554	12 x M12	50	18	300
152.920.109.*	920	846	754	12 x M12	50	18	400

* When ordering please add the appropriate material code to the item no. You will find it in the foldout.